

# Double Glazed Signature Series Dome

Fixed Industrial Skylight with  
Insulated Thermal Break and  
(Optional) Safety Security Guard

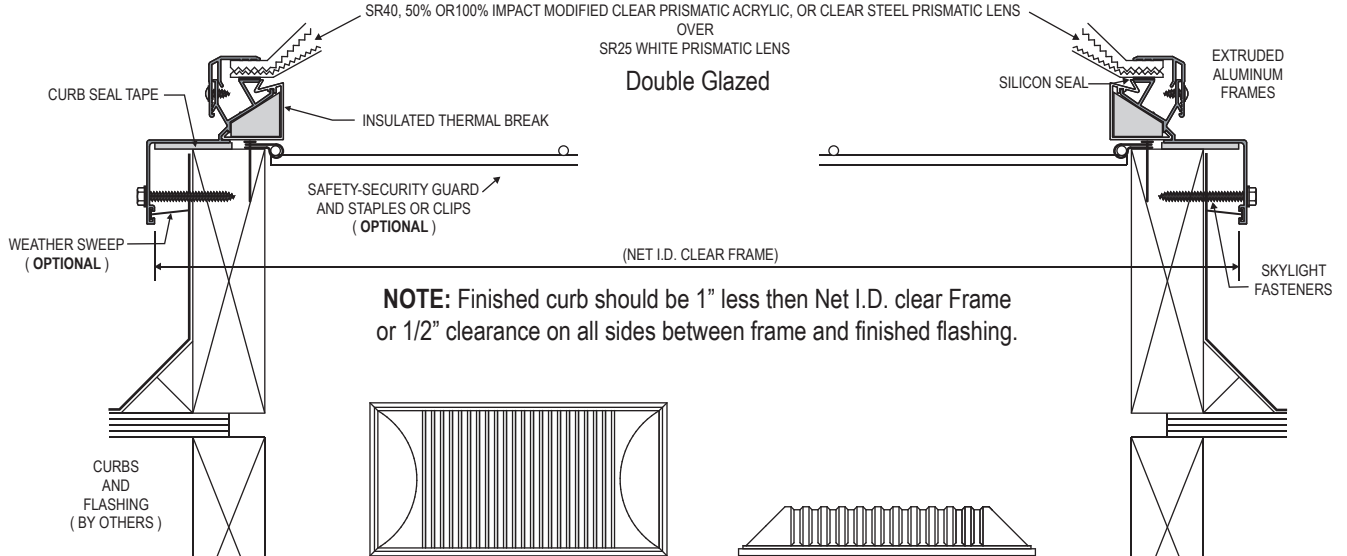


Signature Dome

Frame Model 800MD  
Section 08620

Available Frame Finish  
Natural Mill (Aluminum)

Details (Scale: 3" = 1'-0")



## Standard Sizes

Call-Out Size	Net I.D. Clear Frame
2020	27 1/4" x 27 1/4"
2040	27 1/4" x 51 1/4"
2080	27 1/4" x 99 1/4"
3080	39 1/4" x 99 1/4"
30100	39 1/4" x 123 1/4"
4040	51 1/4" x 51 1/4"
4060	51 1/4" x 75 1/4"
4070	51 1/4" x 87 1/4"
4080	52 1/4" x 100 1/4"
40100	52 1/4" x 123 1/4"
5050	63 1/4" x 63 1/4"
5060	63 1/4" x 75 1/4"
5070	63 1/4" x 87 1/4"
5080	63 1/4" x 99 1/4"
50100	63 1/4" x 123 1/4"

Solar Heat Gain Coefficient = .49, U Value = .82, Visible Light Transmission = .65 (Acrylic Glazing Only)

## Specifications

- Skylights shall be Sunoptics model 800MD (curb mounted) as manufactured by Sunoptics Skylights, 6201 27th Street, Sacramento Ca. 95822 916/395-4700
- Skylights shall be glazed ready for installation.
- Skylight frames shall be fabricated from 6063 T6 aluminum, finish to be natural mill. Frames shall have integral condensation and weepage gutters which drain interior moisture to the outside. Corners shall be mitered and welded. The acrylic glazing shall be separated from the skylight frame with a Silicon Seal.
- Skylights shall be Double glazed using SR40 50% or 100%, Impact Modified Clear Prismatic or Clear Steel lens over SR25 White Prismatic lens, CC2 or CC1 Rated, glazed in a Signature Series Dome configuration.
- (Optional) Safety Security Screen fabricated from a 4" X 4" wire mesh galvanized cold rolled steel. The safety screen shall be tested to withstand the impact of a 240 pound weight, one foot in diameter, dropped from a height of 3 feet and support a concentrated load of 600 pounds after the impact. Install using Staples or Clips provided at 12" O.C. between cross members.



6201 27th Street  
Sacramento, CA 95822  
www.sunoptics.com

916/395-4700  
800/289-4700  
FAX/395-9204

